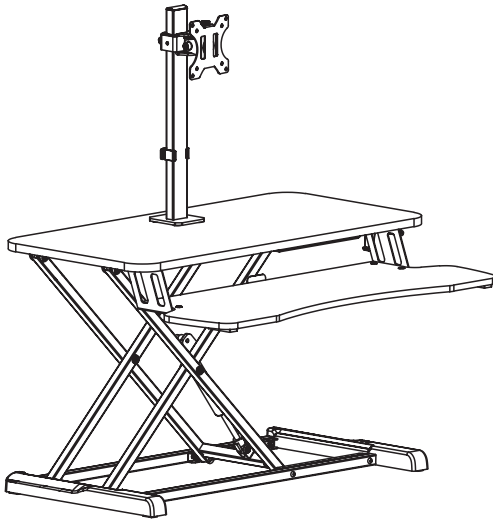


Black Desk Riser with Single Monitor Mount Instruction Manual



SKU: DESK-V000K-M1



Scan the QR code with your mobile device or follow the link for helpful videos and specifications related to this product.

<https://vivo-us.com/products/desk-v000k-m1>

GET IN TOUCH | Monday-Friday from 7:00am-7:00pm CST



help@vivo-us.com



www.vivo-us.com
Chat live with an agent!



309-278-5303

WARNING!

If you do not understand these directions, or if you have any doubts about the safety of the installation, please call a qualified technician. Check carefully to make sure there are no missing or defective parts. Improper installation may cause damage or serious injury. Do not use this product for any purpose that is not explicitly specified in this manual. Do not exceed weight capacity. We cannot be liable for damage or injury caused by improper mounting, incorrect assembly or inappropriate use.

TIPOVER WARNING

SERIOUS OR FATAL CRUSHING INJURIES CAN OCCUR FROM TIPOVER. TO HELP PREVENT TIPOVER:

- NEVER ALLOW CHILDREN TO CLIMB, STAND, HANG, OR PLAY ON ANY PART OF MONITOR OR STAND.
- USE TIPOVER RESTRAINT OR ANCHOR STAND TO WALL

USE OF TIPOVER RESTRAINTS MAY ONLY REDUCE, BUT NOT ELIMINATE RISK OF TIPOVER.

WARNING: CHOKING HAZARD

SMALL PARTS - NOT FOR CHILDREN UNDER 3 YEARS. ADULT SUPERVISION IS REQUIRED.

PACKAGE CONTENTS



A (x1)
Column



B (x1)
VESA Plate



C (x1)
Bracket



D (x1)
Stand Base



E (x1)
M8x55



F (x1)
Support Plate



G (x2)
M6x16



H (x4)
Rubber Pad



I (x1)
Stand Cable Clip



J (x1)
Thumbscrew



K (x1)
4mm Allen
Wrench



L (x1)
6mm Allen
Wrench



M (x1)
Desk



N (x1)
Keyboard Tray



O (x2)
Cable Clip



P (x3)
Pad



Q (x4)
Sleeve Nut with
Bolt



R (x4)
Rubber Foot



M-A (x4)
M4x12



M-B (x4)
M5x12



M-C (x4)
D5 Washer

NOTE: SOME HARDWARE INCLUDED MAY NOT BE USED

TOOLS NEEDED



DO NOT EXCEED WEIGHT CAPACITY.

Failure to do so may result in serious injury.



SCREEN



DESKTOP

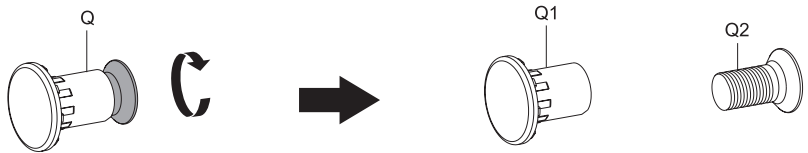


KEYBOARD TRAY

ASSEMBLY STEPS

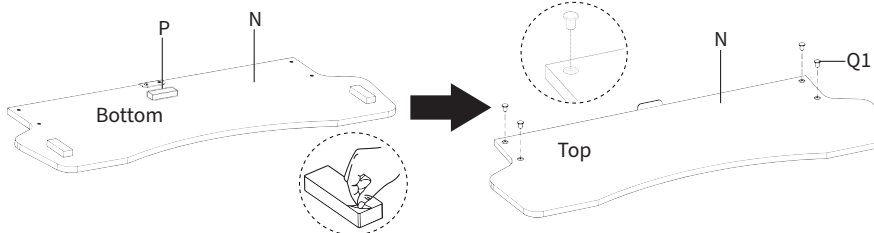
STEP 1

Separate the sleeve nut w/ bolt (Q) into Q1 and Q2.



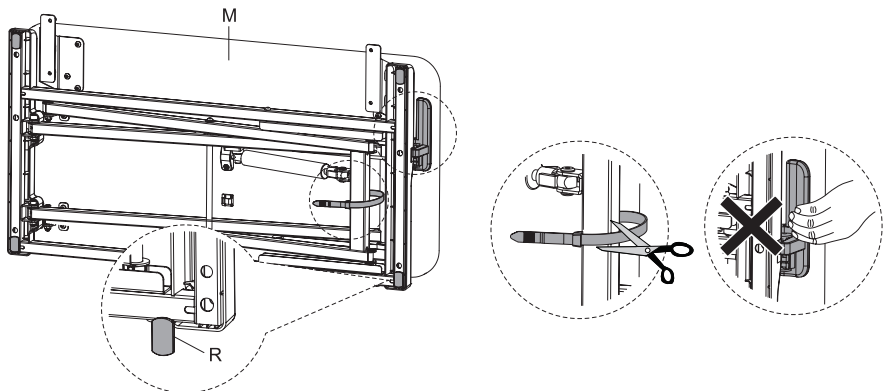
STEP 2

Apply pads (P) to underside of keyboard tray (N). Press Q1 into holes on top of keyboard tray (N).



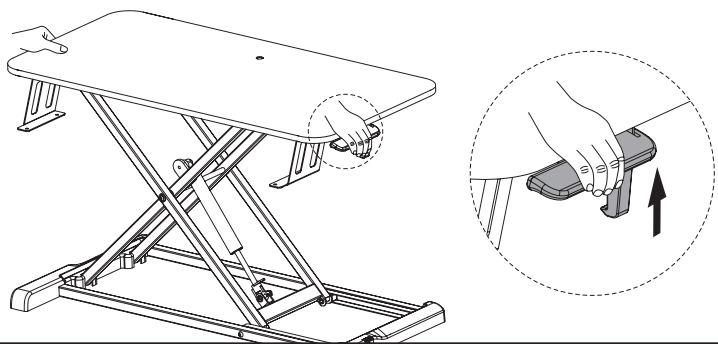
STEP 3

Install the feet (R) to the bottom of the desk (M). Then cut the large plastic safety tie.



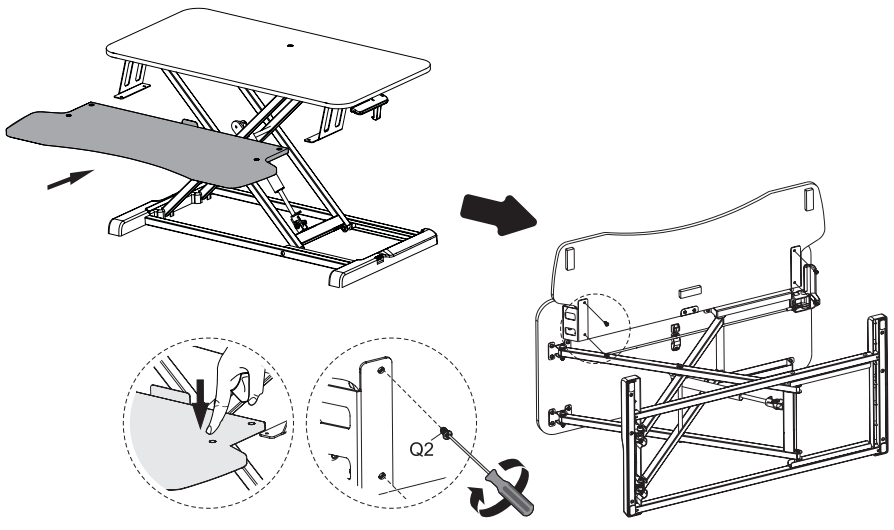
STEP 4

Raise the desk by squeezing the handles underneath the desk.



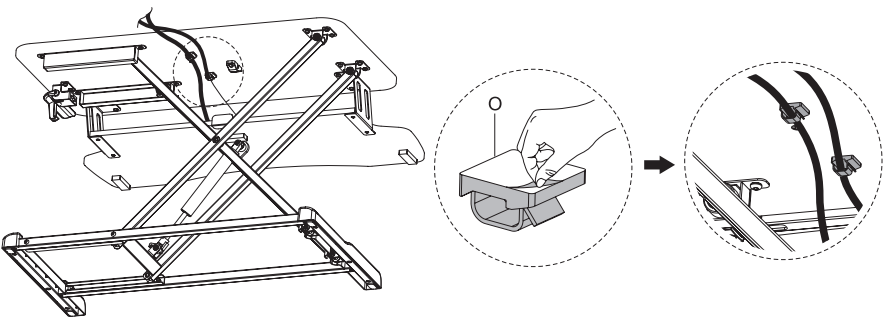
STEP 5

Place keyboard tray (N) on metal brackets on desk (M). Secure keyboard tray to brackets using screws (Q2) and tighten with a Phillips screwdriver.



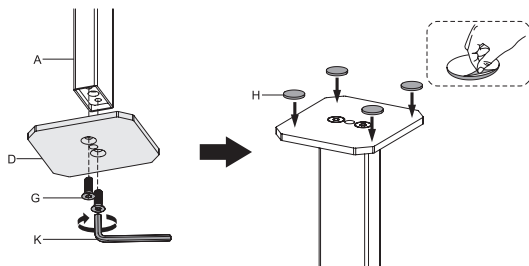
STEP 6

Apply cable clips (O) to underside of desk.



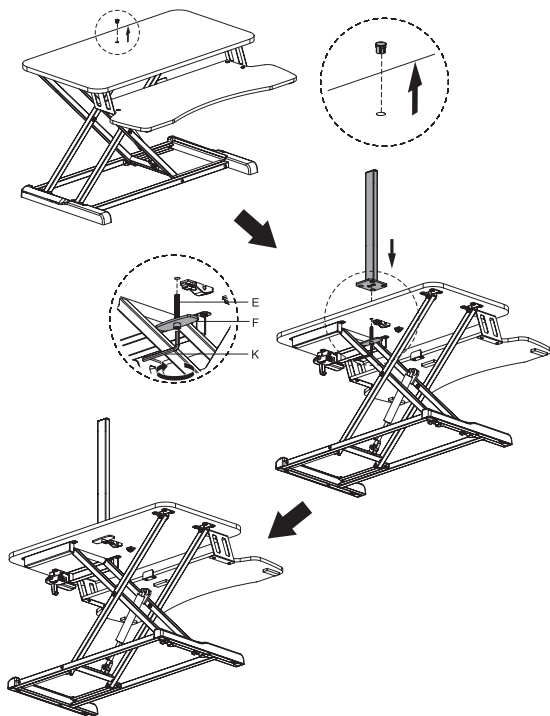
STEP 7

Assemble column **(A)** to stand base **(D)** using M6x16 bolts **(G)** and tighten with the 4mm Allen wrench **(K)**. Apply rubber pads **(H)** to underside of base.



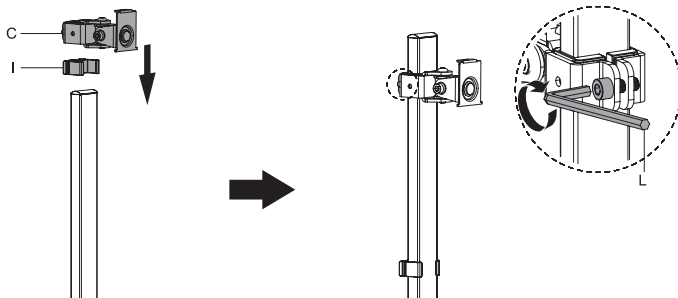
STEP 8

Remove plug from desk surface **(M)**. Position the assembled column with base over the grommet hole, and install to desktop using the M8x55 bolt **(F)** with support plate **(E)**. Tighten using the 6mm Allen wrench **(L)**.



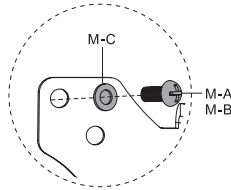
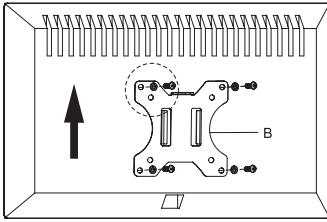
STEP 9

Slide stand cable clip **(I)** and bracket **(C)** down onto column **(A)** to the desired height and tighten with the 6mm Allen wrench **(L)**.



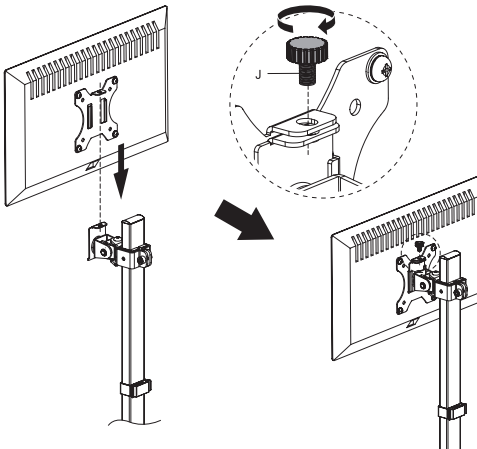
STEP 10

Install the VESA plate (**B**) to monitor using bolts (**M-A or M-B**) and washers (**M-C**).



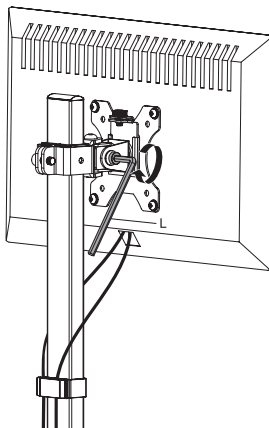
STEP 11

Slide the VESA plate (**B**) with monitor onto the bracket (**C**). Secure using the thumbscrew (**J**).



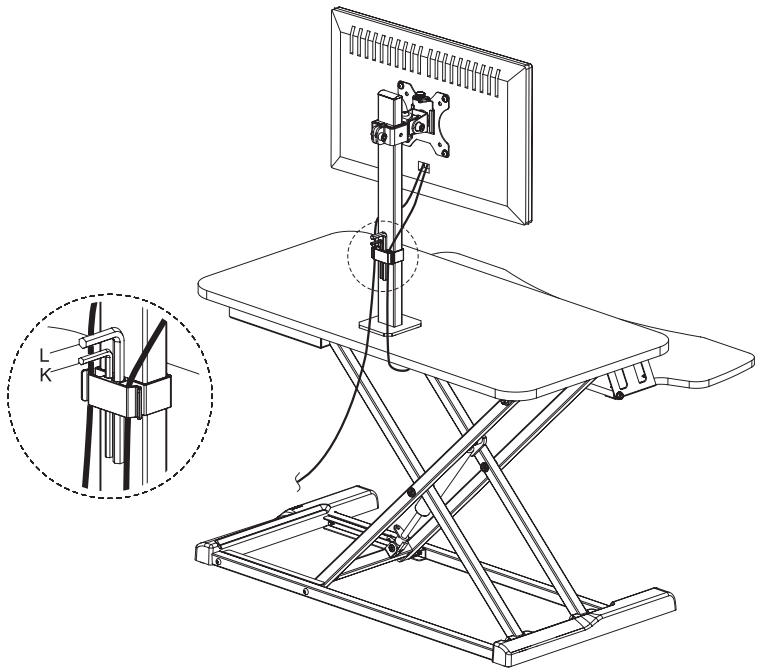
STEP 12

If needed, adjust tilt joint support using the 6mm Allen wrench (**L**). Use the stand cable clip (**I**) to organize cables.



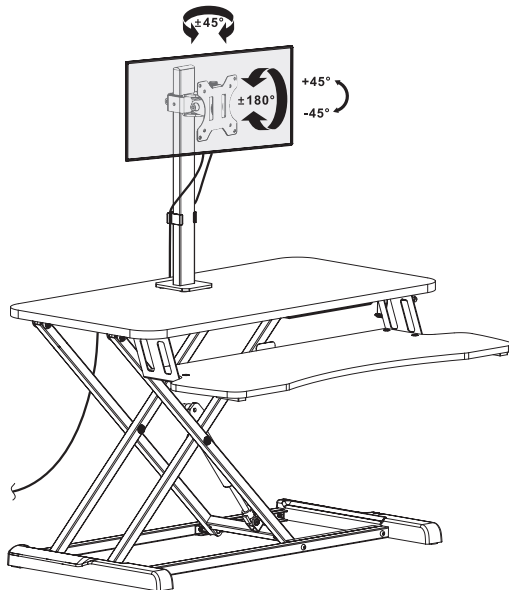
STEP 13

Store Allen wrenches (**K**, **L**) in the stand cable clip (**I**) when not in use.



STEP 14

Adjust desk height by squeezing the handle and pulling up or pushing down. Adjust monitor position and rotation as desired.





Open **Monday - Friday 7:00am - 7:00pm** CST,
our dedicated support team can offer immediate assistance with rapid response times. If any parts are received damaged or defective, please contact us. We are happy to replace parts to ensure you have a fully functioning product.



309-278-5303

AVG. RESOLUTION TIME (*within office hrs*): **5M 4S**



www.vivo-us.com
Chat live with an agent!

AVG. RESOLUTION TIME (*within office hrs*): **< 15 M**



help@vivo-us.com

AVG. RESPONSE TIME (*within office hrs*): **1HR 8M**

- 23% within < 15m
- 38% within < 30m
- 61% within < 1hr
- 83% within < 2hr
- 92% within < 3hr